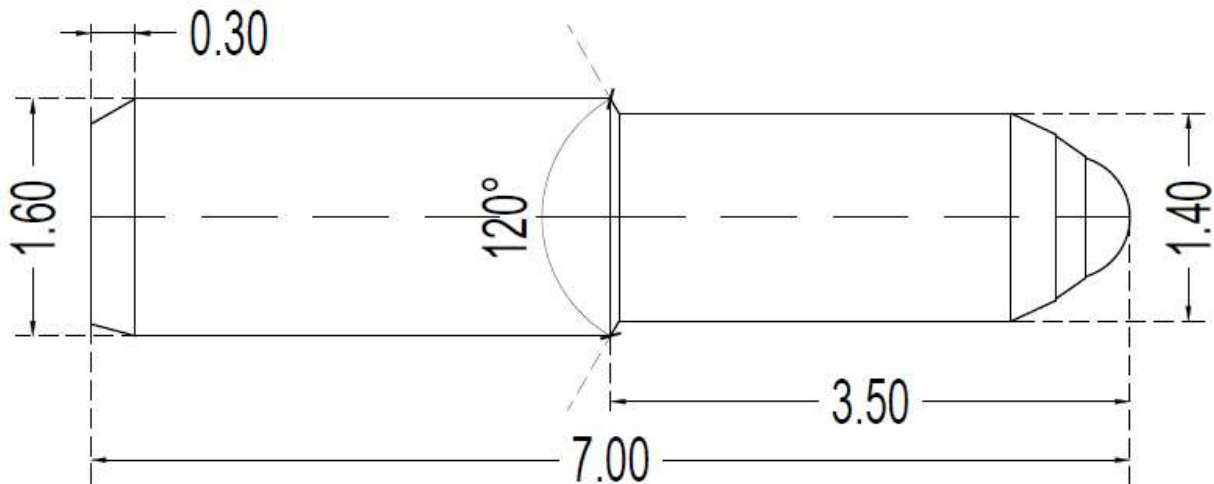


perfect

Trade Name : Mini Ahto (Bold)

E-mail: perfectpen.jalan@gmail.com



Technical Specifications:

- ✓ Housing Material & Size : Nickel Silver 1.60 mm
- ✓ Ball Material : Tungsten Carbide
- ✓ Ball Diameter : 1.00 mm
- ✓ Ink Type : OBI / OBG
- ✓ Ink Lay Down : As specified by the customer
- ✓ Setup Ink : As per requirement of customer

